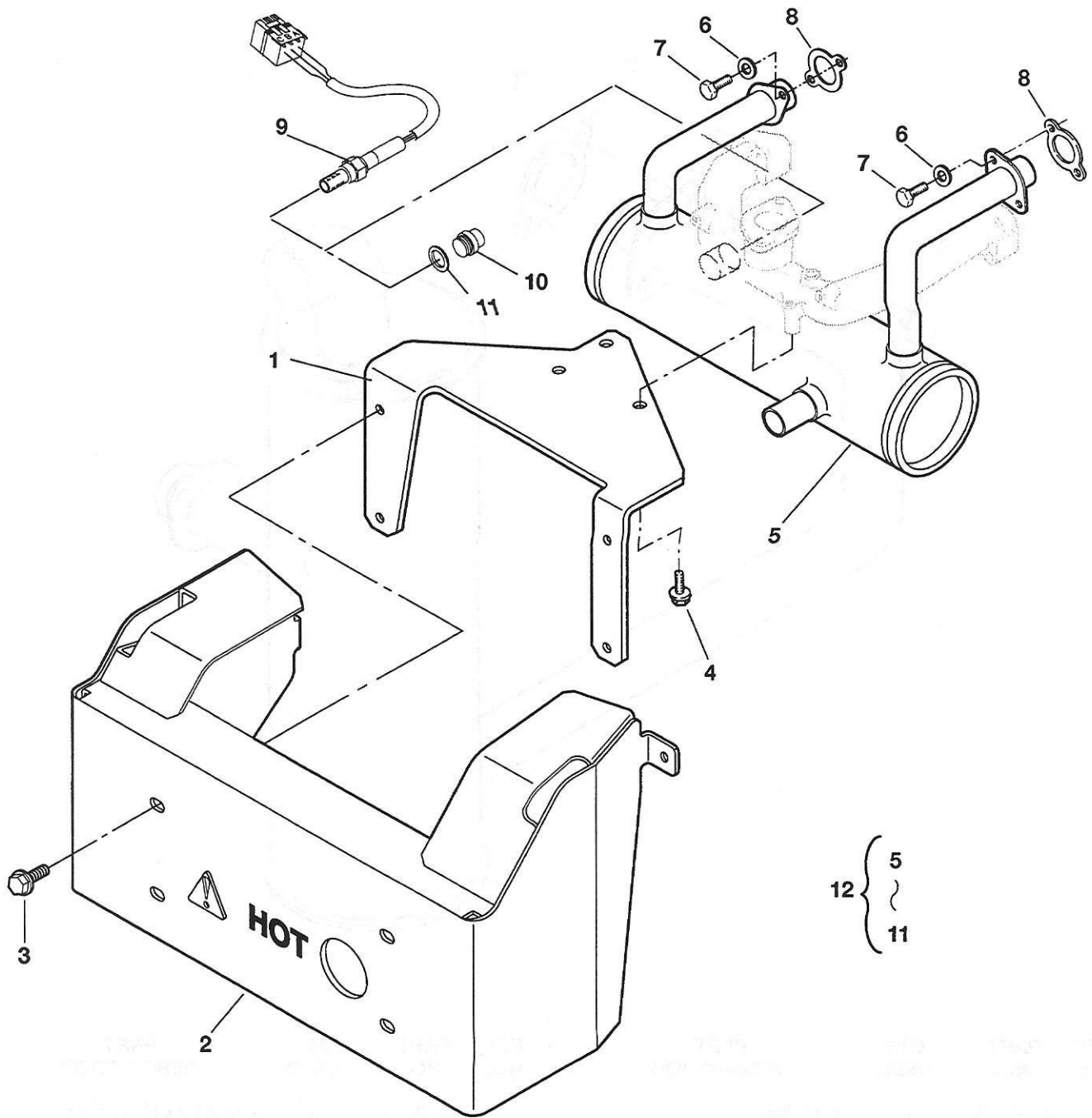
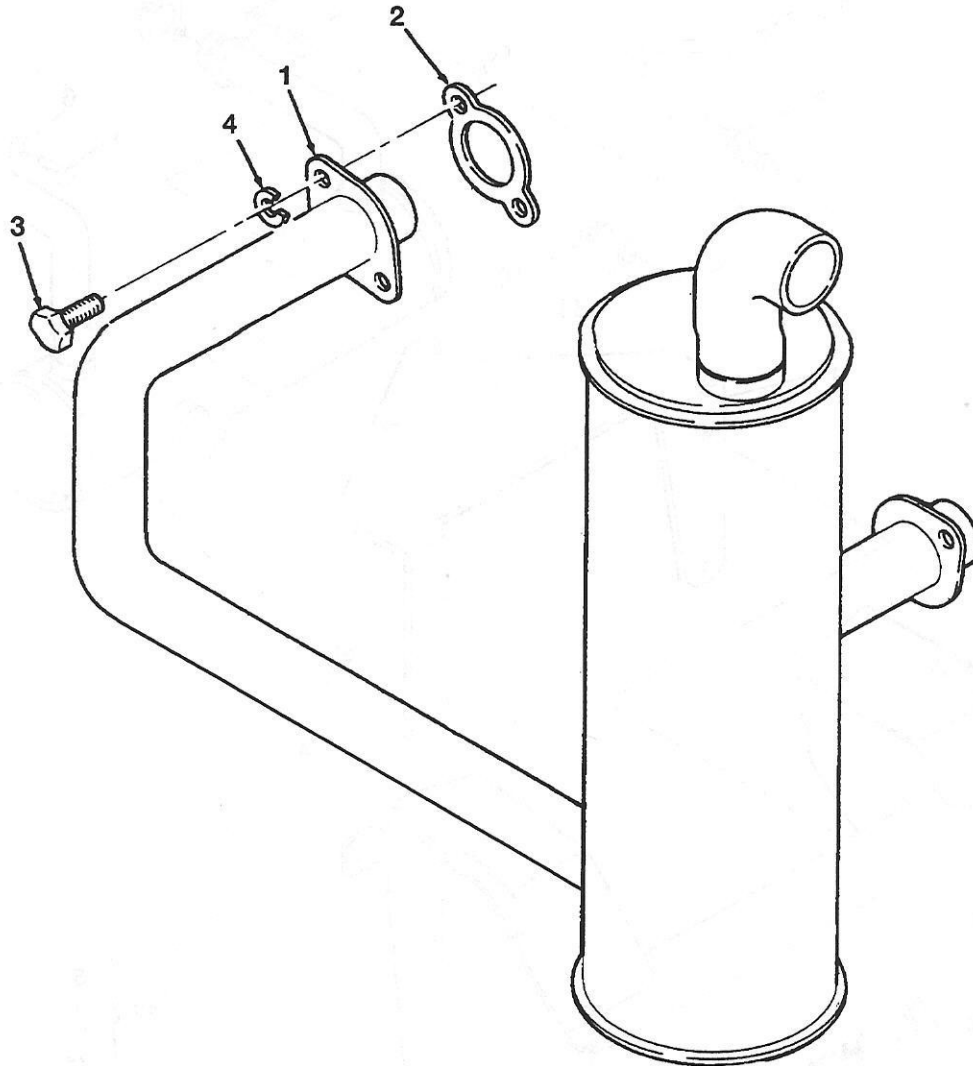


REF NO.	PART NO.	QTY USED	PART DESCRIPTION	REF NO.	PART NO.	QTY USED	PART DESCRIPTION
1			Indicator, Oil Level (Includes O'Ring)				(#10 x 1-1/4")
	123-1811	1	Code 17DV, 17BW	4	123-1813-01	1	Bracket, Support
	123-1811-01	1	Code 17DW		123-2094	1	Code 17DW
	123-1637-01	1	P220V and P248V (Except Spec 11446)	5	870-0410	1	Nut, Speed (U-Type)
	123-1811-03	1	P248V, and Spec 11446	6			Tube, Oil Fill
2	509-0142	1	O'Ring (Spec A-G)		123-1812-50	1	Spec A-G
3	815-0576	1	Screw, Pan Head Cross Recessed Self-Tapping		123-1812-02	1	Painted
					123-1685-02	1	Chrome Plated
				7	509-0269	1	Spec H
							Seal, Tube



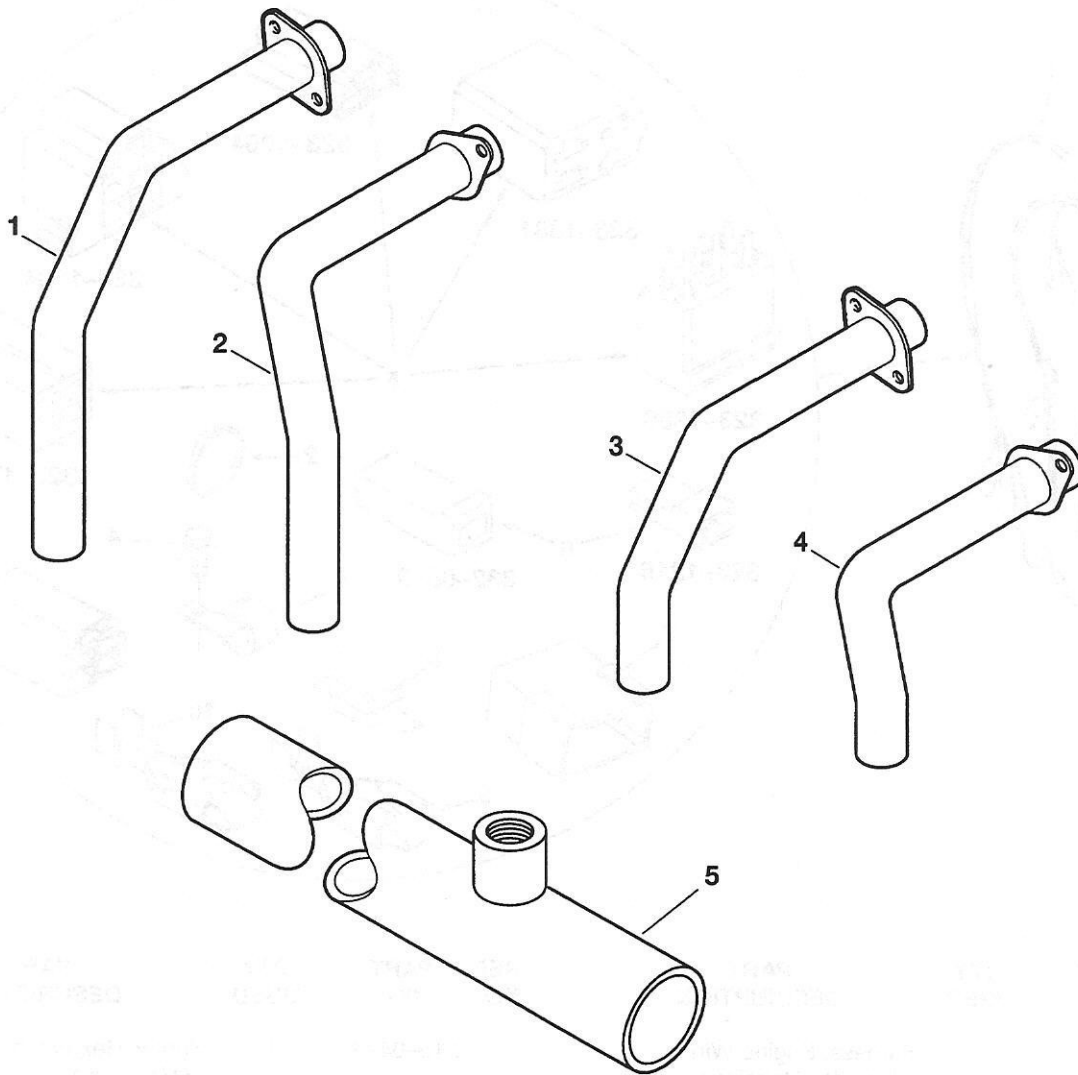
REF NO.	PART NO.	QTY USED	PART DESCRIPTION	REF NO.	PART NO.	QTY USED	PART DESCRIPTION
1	148-1056-02	1	Platform, Muffler Guard	9	148-1117	1	Sensor, Oxygen (3 Wire)
2	155-3138-02	1	Guard, Muffler	10	505-1528	1	*Plug (M18)
3	815-0389	4	Screw, Hex Washer Head	11	104-1896-04	1	*Shim, Balancer
4	815-0759	3	Screw, Hex Washer Head	12	155-3282	1	Kit, Catalyst Muffler (Includes Parts Marked *)
5	155-3255	1	*Muffler				
6	740-1006	4	Washer, Flat (M8)				
7	800-0026	4	Screw, Hex Head Cap				
8	154-2746	2	*Gasket, Exhaust Manifold				

\* - Parts Included in Catalyst Muffler Kit.



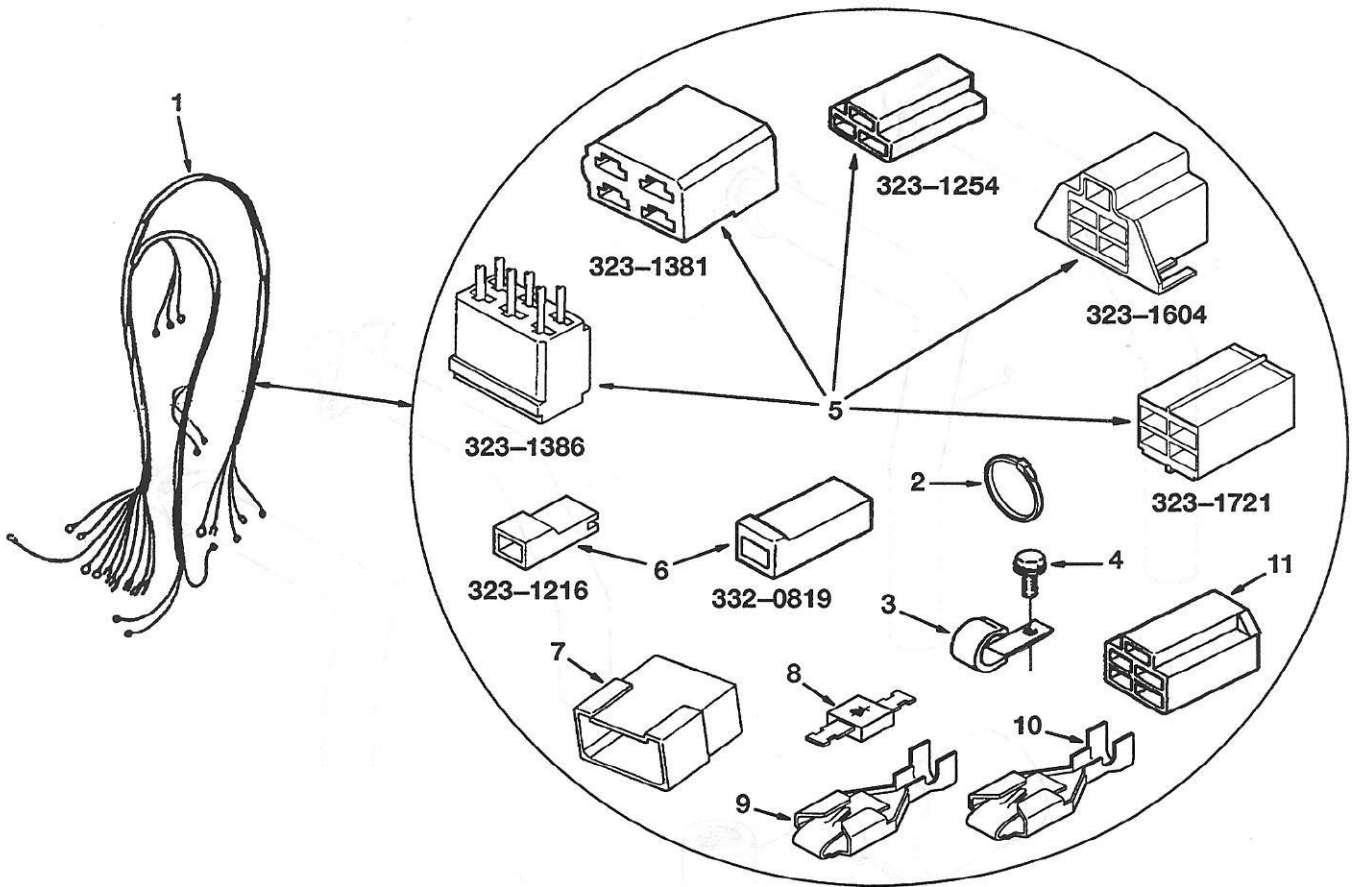
REF NO.	PART NO.	QTY USED	PART DESCRIPTION	REF NO.	PART NO.	QTY USED	PART DESCRIPTION
	541-0318	1	Kit, Muffler	3	800-0026	4	Screw, Hex Head Cap (5/16-18 x 3/4")
1	155-2427	1	Muffler	4	850-0045	4	Washer, Spring Lock (5/16
2	154-2746	2	Gasket				

## Exhaust Tube



REF NO.	PART NO.	QTY USED	PART DESCRIPTION
1	155-3104	1	Tube, Exhaust Code 21CK 11"
2	155-3103	1	8"
3	155-3105	1	Code 21CL 6"
4	155-3106	1	4"
5	420-0590	1	Probe, CO Exhaust (P248V, Specs 11479G & 11492G)

## Engine Wiring Harness



REF NO.	PART NO.	QTY USED	PART DESCRIPTION	REF NO.	PART NO.	QTY USED	PART DESCRIPTION
			Harness, Engine Wiring (Includes Housings) Spec A-D	4	815-0474	1	Screw, Hex Washer Head (1/4-14 x 1/2")
1	338-2104-01	1	Code 35CH, 35CJ	5	323-1386	1	Housing, Receptacle Code 35CH, 35CJ
	338-2454	1	Code 35BY		323-1381	1	Code 35BY, 35BH, 35CD, 35BB
	338-2075	1	Code 35BH		323-1254	1	Code 35AW
	338-2522	1	Code 35BG, 35BB		323-1604	1	Code 35CS
	338-2638	1	Code 35AW		323-1721	1	Code 35CW, 35DG
	338-2454-01	1	Code 35CD	6	332-0819	1	Housing, Connector Code 35BH, 35CD, 35BY, 35BB, 35CW, 35CS, 35DG
	338-3286	1	Code 35CS		332-0819	2	Code 35CH, 35CJ, 35DK
	338-3260	1	Code 35CW		323-1216	1	Code 35AW
			Begin Spec E	7	323-0916	1	Housing, Tab Connector
	338-3286	1	Code 35CS	8	357-0030	1	Rectifier, Silicon (Code 35DK)
	338-3178-01	1	Code 35CH, 35CJ	9	332-3143	1	Receptacle, Lock (Code 35DK)
	338-3226-02	1	Code 35CD	10	332-2073	2	Receptacle, Lock (Code 35DK)
	338-3179	1	Code 35BH, 35BB	11	323-0987	1	Housing, Receptacle (Code 35DK)
	338-3260	1	Code 35CW				
	338-3260-01	1	Code 35DG				
	338-3533	1	Code 35DK				
2	332-1567	2	Tie, Cable				
3	518-0515	1	Clamp, Cable (1/2")				

## Labels, Paint, Thread Sealant and Gasket Kits

REF NO.	PART NO.	QTY USED	PART DESCRIPTION	REF NO.	PART NO.	QTY USED	PART DESCRIPTION
	168-0188	1	Kit, Engine Gasket (Includes Parts Marked °)		098-7529-01	1	Label, Canada
	102-1381	1	°Gasket, Oil Base				Label, Performer (Red and White)
	102-1387	1	°Gasket, Oil Base (Oil Cooler on Vertical Shaft)		098-6802-01	2	P216
	103-0810	1	°Gasket, Gearcase		098-6802-02	2	P218
	110-3709	3	°Gasket, Valve Box		098-6802-03	2	P220
	110-3136	2	°Gasket, Valve Guide		098-7378	3	P248
	110-3181	2	°Gasket, Cylinder Head		098-7484	1	Label, Emission Warning (P248V)
	120-0161	1	°Kit, Oil Pump Gasket				
	122-0707	1	°Seal, Oil Filter Drain		120-0161	1	Kit, Oil Pump Gasket (Includes Parts Marked ♦)
	122-0771	1	°Gasket, Oil Filter Adapter				
	146-0511	1	°Gasket, Adapter to Carburetor		120-0202	1	♦ Oil Pump Gasket .005"
	154-2495	2	°Gasket, Intake Manifold		120-0197	1	♦ Oil Pump Gasket .007
	154-2746	2	°Gasket, Exhaust Manifold		120-0203	1	♦ Oil Pump Gasket .009"
	160-1368	1	°Gasket, Breaker Box				
	509-0008	1	°Seal, Oil (Governor Shaft)		168-0189	1	Kit, Valve Grind Gasket (Includes Parts Marked +)
	509-0040	1	°Seal, Oil (Gearcase)				
	509-0142	1	°O'Ring (Oil Fill Cap)		110-3136	2	+ Gasket, Valve Guide
	509-0210	2	°Seal, Valve Stem		110-3604	2	+ Seal, Valve
	509-0239	1	°Seal, Oil (Oil Base)		110-3709	3	+ Gasket, Valve Box
	509-0240	2	°O'Ring (Oil Pump Inlet)		110-3181	2	+ Gasket, Cylinder Head
	509-0244	1	°O'Ring (Inner Oil Pan)		154-2495	2	+ Gasket, Intake Manifold
	509-0245	1	°O'Ring (Outer Oil Pan)		154-2542	1	+ Gasket, Exhaust Manifold
	509-0269	1	°Seal, Oil Fill Tube		154-2746	2	+ Gasket, Exhaust Manifold
					154-2800	1	+ Gasket, Exhaust Manifold
	525-0394	1	Paint, Flat Black Enamel (16 oz. Pressurized Spray Can)		509-0210	2	+ Seal, Valve Stem
	518-0452	1	Sealant, Thread (50 cc Bottle)				
	518-0347	1	Loctite (Bottle) 250 cc				

♦ - Parts Included in Oil Pump Gasket Kit.

+ - Parts Included in Valve Grind Gasket Kit.

° - Parts Included in Engine Gasket Kit.

## Numerical Index

<u>Part No.</u>	<u>Page</u>	<u>Part No.</u>	<u>Page</u>	<u>Part No.</u>	<u>Page</u>	<u>Part No.</u>	<u>Page</u>
517-0067, 6		800-0571, 6					
517-0120, 6		800-0595, 26, 27					
517-0136, 14		801-0049, 6					
517-0339, 19		804-0017, 25					
518-0004, 10		815-0046, 10					
518-0006, 17, 19		815-0261, 12, 14					
518-0014, 8		815-0290, 12, 14, 15					
518-0311, 6		815-0340, 10, 29					
518-0347, 35		815-0359, 15, 21, 22					
518-0452, 35		815-0389, 31					
518-0515, 15, 28, 34		815-0436, 15					
518-0560, 12		815-0474, 34					
518-0574, 14		815-0508, 12					
520-0933, 10		815-0510, 15					
525-0394, 35		815-0555, 14					
526-0017, 9		815-0576, 30					
526-0018, 14		815-0650, 14					
526-0021, 15, 20		815-0659, 10					
526-0063, 6		815-0687, 9					
526-0065, 10, 29		815-0693, 22					
526-0066, 6		815-0721, 14					
526-0122, 6, 26, 27		815-0759, 31					
526-0140, 22		815-0808-01, 16					
526-0174, 12		815-0820, 22					
526-0250, 12		815-0844, 14					
526-0356, 9		821-0004, 21, 22					
541-0190, 22		821-0008, 15					
541-0318, 32		821-0010, 14, 15, 20					
740-1004, 6		821-0014, 9					
740-1006, 17, 19, 31		821-0016, 15					
750-1006, 27		850-0045, 17, 19, 32					
800-0004, 6		853-0013, 15					
800-0007, 6		854-0010, 10					
800-0009, 6		862-0015, 10					
800-0026, 31, 32		865-0020, 25					
800-0027, 17, 19		870-0399, 10					
800-0028-01, 29		870-0410, 30					
800-0032-01, 10		870-0533, 6					
800-0033, 17, 19		99-2393, 14					
800-0053, 12							

### Sales Option Code Table

<u>SPEC NO.</u>	<u>10730</u>	<u>10864</u>	<u>10869</u>	<u>10873</u>	<u>10891</u>	<u>10892</u>	<u>10893</u>	<u>10899</u>	<u>10903</u>	<u>10959</u>	<u>11023</u>	<u>11024</u>	<u>11064</u>	
<b>SALES OPTION CODE NUMBERS</b>	11AV	11AV	11AW	11AV	11AU	11AW	11AW	11AV	11AV	11AV	11AW	11AW	11AW	
	13BJ	11AW	13BG	13BJ	13BJ	13BJ	13BJ	13BJ	13BJ	13BJ	13BG	13BJ	13BJ	
	13BM	13BJ	13BJ	13BN	13BM	13BM	13BN	13BN	13BV	13BY	13BJ	13BP	13BN	
	13BV	13BN	13BV	13BV	13BV	13BV	13BV	13BV	13CB	13CR	13BY	13BV	13BV	
	15BD	13BV	15BC	15BD	15BB	15BB	15BD	15BD	15BD	15BD	15BD	15BD	15BD	
	15BK	15BD	15BF	15BK	15BD	15BD	15BK	15BK	15BK	15BK	15BK	15BJ	15BJ	15BK
	15BL	15BK	15CC	15BL	15BJ	15BJ	15BL	15BL	15BL	15BL	15BL	15BL	15BL	15BL
	17BY	15BL	17BY	17BY	17BY	17BY	17BY	17BY	17BY	17BY	17BY	17BY	17BY	17BY
	17CD	17BY	17CD	17CD	17CE	17CD	17CD	17CD	17CD	17CD	17CD	17CD	17CD	17CD
	17CG	17CD	17CG	17CG	17CG	17CG	17CG	17CG	17CG	17CG	17CG	17CG	17CG	17CG
	23DC	17CG	19AS	19AS	19AW	19AS	19AS	19AS	19AS	23DC	23DC	19AS	19AS	19AS
	31AY	19AS	23DC	23DC	23DC	23DC	23DC	23DC	23DC	31AY	23DC	23DC	23DC	23DC
	31AZ	23DC	23DJ	23EJ	31AY	31AY	31AY	31AY	31AZ	31AY	31AY	31AY	23EJ	23EJ
	33AT	31AY	23EJ	31AY	31BD	31BD	31AZ	31AZ	33AT	31AZ	31AZ	31AY	31AY	31AY
	35AU	31AZ	31AY	31AZ	33AT	33AT	33AT	33AT	35AU	33AT	33AT	31AZ	31AZ	31AZ
	35AW	33AT	31AZ	33AT	45DV	45DV	35CH	35AU	35BB	35AH	35CJ	33AT	33AT	33AT
	45DV	35AU	33AT	35AH	47AR	47AR	45BW	35BB	45BW	35BY	45BW	35AU	45BW	45BW
	47AR	35BH	35BG	35BY			45DV	45DV	45DV	45DV	45DV	35BH	45DV	45DV
		45DV	35BV	45DV			47AR	47AR	47AR	47AR	47AR	47AR	45DV	47AR
		47AR	35CJ	47AR									47AR	
			45DV											
			47AR											

<u>SPEC NO.</u>	<u>11103</u>	<u>11104</u>	<u>11209</u>	<u>11324</u>	<u>11328</u>	<u>11437</u>	<u>11445</u>	<u>11446</u>	<u>11479</u>	<u>11492</u>	<u>11610</u>
<b>SALES OPTION CODE NUMBERS</b>	11AV	11AV	11AW	11AV	11AV	11AV	11AV	11AV	11AV	11AV	11AV
	13BJ	13BJ	13BJ	13BJ	13BJ	13BJ	13BJ	13BJ	13BJ	13BJ	13BJ
	13BY	13BY	13BN	13CE	13CE	13CE	13CE	13CE	13CE	13CE	13CE
	13CR	13CR	13BV	13CT	13CT	13CT	13CT	13CT	13CT	13CT	13CT
	15BD	15BD	15BD	15AZ	15AZ	15AZ	15BD	15BD	15DB	15DB	15DB
	15BK	15BK	15BK	15BD	15BD	15BD	15BD	15BJ	15DE	15DE	15DE
	15BL	15BL	15BL	15BK	15BJ	15BK	15BJ	15BL	17BY	17BY	17BY
	17BY	17BY	17BY	15BZ	15BZ	15BZ	15BZ	15BZ	17CD	17CD	17CD
	17CG	17CG	17CD	17BW	17BW	17BW	17BY	17BY	17DT	17DT	17DT
	17DF	17DF	17CG	17BY	17BY	17BY	17CD	17CD	19AS	19AS	19AS
	19AS	19AS	19AS	17CD	17CD	17CD	17DV	17DW	21CM	21CM	21CM
	23DC	23DC	23DC	19AS	19AS	19AS	17DY	17DY	21CN	23DC	21CN
	23EJ	23DN	23DN	23DC	23DC	23DC	19AS	19AS	23DC	31AY	23DC
	31AY	23EJ	31AY	31AY	31AY	31AY	21CK	21CL	23EM	31AZ	23EH
	31AZ	31AY	31AZ	31BN	31AZ	31AZ	23DC	23DC	31AY	33AT	31AY
	33AT	31AZ	33AT	33AT	33AT	33AT	31AY	31AY	31AZ	35AV	31AZ
	35CD	33AT	35AU	35AU	35AU	35AU	31AZ	31AZ	33AT	35BC	33AT
	45DV	35CD	35BH	35CS	35CW	35CS	33AT	33AT	35AV	45DV	33AV
	47AR	45DV	45DV	45DV	41AK	45DV	35AU	35AU	35DK	47AL	35DK
		47AR	47AR	47AR	45DV	47AR	35CW	35DG	45DV	47AR	45DV
				47BA	47AR	47BA	41AK	41AK	47AR	47BA	47AR
					47BA		45DV	45DV	47BA		47BA
					47BB		47AL	47AL	47BB		47BB
							47AR	47AR			
							47BA	47BA			



## SALES OPTION CODE DEFINITIONS

### LISTED BELOW ARE SALES OPTION CODE NUMBERS USED ON P216V, P218V, P220V

11AU	Standard Block	21CK	Exhaust Tubes
11AV	Premium Block – Plastic Thrust Washer	21CL	Exhaust Tubes
11AW	Premium Block – Standard Thrust Washer	21CM	Exhaust Muffler, Cat & Spark Arrestor
13BG	3450 High Idle	21CN	Guard, Muffler/Tubes, Exhaust
13BJ	Side Pull Governor	23CN	Muffler Guard and Exhaust Tubes
13BM	3850 High Idle	23DC	Press Cooled Housing and Wheel
13BN	3600 High Idle	23DJ	No Rotating Screen
13BP	3300 High Idle	23EH	Inverted Voltage Reg–Cylinder Air Hsg
13BV	1200 Low Idle	23EJ	Stationary Guard without P.T.O. – No Logo
13BY	1400 Low Idle	23EM	Air Precleaner and Support
13CB	3780 High Idle	31AY	Electronic Ignition
13CE	1800 Low Idle	31AZ	Alternator – 12V/20A
13CR	3550 High Idle	31BD	No Alternator
13CT	3250 High Idle	31BN	Alternator – 12V/5A
15AZ	Fuel Pump and Filter (Dual Inlet)	33AT	Starter Solenoid Shift (Side) Standard
15BB	No Pump–Filter	33AV	Switch, Low Oil Pressure (2T–NO)
15BC	No Pump–No Filter	35AH	LOPKO Switch (1 Terminal/Normally Open)
15BD	Downdraft Carb–Manual Choke	35AU	LOPKO Switch (1 Terminal/Normally Closed)
15BF	Downdraft Carburetor – LPG	35AV	LOPKO Switch (2 Terminal/Normally Open)
15BJ	Front Pull Choke	35AW	3 Pin Harness
15BK	Rear Pull Choke	35BB	4 Pin Harness with Mating Connector
15BL	Fuel Pump with Filter (Dual Inlet)	35BG	3 Wire Harness – Leads
15BZ	Fuel Inlet Line – 5”	35BH	4 Pin Harness
15CA	Downdraft Carburetor – Gasoline	35BV	LOPKO Switch (3 Terminal – Normally Open/Normally Closed Common Ground)
15CC	Carburetor Adapter – LPG	35BY	4 Pin Harness/3 Wire
15DB	Downdraft Carburetor – LPG, EMS	35CD	4 Pin Harness/2 Wire
15BZ	Fuel Inlet Line (5”)	35CH	6 Pin/4 Wire with Mating Connector
15DE	Regulator LPG–W/Solenoid EMS	35CJ	6 Pin/4 Wire Harness
17BY	Oil Fill Tube & Indicator – Inner	35CS	5 Pin/2 Wire Harness (MTD)
17BW	Oil Base–Standard Capacity (Left Drain)	35CW	4 Pin/2 Wire Harness (AYP)
17CD	Oil Filter (3.4” Long)	35DG	4 Pin Harness/3 Wire
17CE	No Oil Filter	35DK	5 Pin Harness with Diode
17CG	Oil Base–Standard Capacity (Optional Drains)	41AK	Lifting Eye
17DF	Oil Filter (4.2” Long)	45BW	Add Crankshaft Key
17DT	Oil Base, Std. Side Drn W/Valve	45DV	1.00” Diameter St Shaft 3.17 to RFB
17DV	Oil Base, Std Cap	47AL	No Engine Labels
17DW	Oil Base, 2Qt/Vrt, 90Deg	47AR	Finishing List
17DY	Oil, 2Qt	47BA	Nameplate
19AS	Air Cleaner – Standard Capacity	47BB	Finishing List w/Lifting Eye
19AW	Air Intake System – Standard Capacity		

## Numerical Index

<u>Part No.</u>	<u>Page</u>	<u>Part No.</u>	<u>Page</u>	<u>Part No.</u>	<u>Page</u>	<u>Part No.</u>	<u>Page</u>
098-6802-01, 35		105-0639, 7		113-0314-30, 6		123-2094, 30	
098-6802-02, 35		105-0700, 7		114-0392, 6		134-3626-50, 15	
098-6802-03, 35		110-0197, 6		114-0394, 6		134-4553-50, 9	
098-7378, 35		110-0197-10, 6		114-0394-10, 6		134-4610-50, 15	
098-7484, 35		110-1824, 6		114-0394-20, 6		134-4615-50, 15	
098-7529-01, 35		110-1824-02, 6		114-0394-30, 6		134-4633, 9	
101-0405, 6		110-1824-05, 6		114-0397, 6		134-4633-02, 9	
101-0804, 12		110-1824-10, 6		114-0397-10, 6		134-4689-01, 14	
101-0804-02, 12		110-1824-25, 6		114-0397-20, 6		134-4794-50, 12	
101-0804-10, 12		110-3136, 35		114-0397-30, 6		134-4796-50, 15	
101-0804-20, 12		110-3181, 6, 35		115-0006, 6		134-4798-50, 15	
101-0804-30, 12		110-3479, 6		120-0140, 6, 12		134-4917-02, 14	
101-0805, 6		110-3480, 6		120-0161, 35		134-5129-02, 14	
101-0805-02, 6		110-3485, 6		120-0197, 35		134-5180-03, 14	
101-0805-10, 6		110-3487, 6		120-0202, 35		140-2195-01, 25	
101-0805-20, 6		110-3508, 6		120-0203, 35		140-2197-50, 25	
101-0805-30, 6		110-3509, 6		120-1202, 12		140-2255, 25	
102-1352-01, 12		110-3510, 6		120-1208, 12		140-2419-50, 25	
102-1352-06, 12		110-3511, 6		120-1209, 6		140-2423-01, 25	
102-1352-07, 12		110-3526, 6		120-1213, 12		140-2761, 25	
102-1378-01, 12		110-3527, 6		120-1320, 6		140-2946-02, 25	
102-1381, 12, 35		110-3604, 35		122-0645, 29		140-3009, 25	
102-1387, 12, 35		110-3605, 12		122-0706-50, 29		140-3022-02, 16	
102-1470-01, 12		110-3637-01, 6		122-0707, 29, 35		140-3023, 16	
102-1475-02, 12		110-3709, 6, 35		122-0771, 29, 35		141-0281, 19	
102-1477, 12		112-0229, 6		122-0800, 29		146-0347, 18	
103-0806, 10		112-0264, 6		122-0814, 29		146-0391, 18	
103-0810, 10, 35		112-0264-01, 6		122-0829, 29		146-0396, 18	
104-0032, 8		112-0264-02, 6		123-1637-01, 30		146-0420, 18	
104-0043, 8		112-0264-03, 6		123-1685-02, 30		146-0425, 18	
104-0170, 9		112-0264-05, 6		123-1784, 6		146-0433, 18	
104-0575, 6		113-0310, 6		123-1811, 30		146-0434, 18	
104-0776, 6		113-0310-01, 6		123-1811-01, 30		146-0435, 18	
104-0776-01, 6		113-0310-02, 6		123-1811-03, 30		146-0437, 18	
104-0779, 9		113-0310-03, 6		123-1812-02, 30		146-0458, 18	
104-1707, 8		113-0310-05, 6		123-1812-50, 30		146-0495, 17, 18, 19	
104-1708, 8		113-0314, 6		123-1813-01, 30		146-0496, 17, 18	
104-1896-04, 31		113-0314-05, 6		123-1824, 25		146-0500, 18	
105-0541, 7		113-0314-10, 6		123-1834, 6		146-0502, 17, 18	
105-0637, 7		113-0314-20, 6		123-1838, 6		146-0503, 18	



## Numerical Index

<u>Part No.</u>	<u>Page</u>	<u>Part No.</u>	<u>Page</u>	<u>Part No.</u>	<u>Page</u>	<u>Part No.</u>	<u>Page</u>
146-0511, 17, 19, 35		154-2808-01, 17, 19		309-0583, 29		503-0707, 14, 23, 24	
146-0657, 17		154-2808-02, 19		309-0615, 29		503-0731, 23, 24	
146-0658, 17		155-2427, 32		309-0641-17, 29		503-0769, 25	
146-0661, 17		155-3103, 33		309-0646-02, 29		503-1199, 23, 24	
146-0680, 19		155-3104, 33		312-0256, 14		503-1646, 6	
146-0696, 17		155-3105, 33		323-0916, 34		503-1673, 6	
146-0752, 19		155-3106, 33		323-0987, 34		503-1798-02, 20	
148-0918-01, 19		155-3138-02, 31		323-1216, 34		504-0186, 12	
148-1025, 20		155-3255, 31		323-1254, 34		505-0039, 12	
148-1056-02, 31		155-3282, 31		323-1381, 34		505-0057, 29	
148-1074, 20		160-1345-01, 6		323-1386, 34		505-0110, 12	
148-1116, 14		160-1368, 6, 35		323-1604, 34		505-0120, 12	
148-1117, 31		166-0761, 14		323-1721, 34		505-0240, 12	
149-1299, 6		166-0767, 28		332-0819, 34		505-1516-03, 12	
149-1321, 14		166-0770, 28		332-1553, 20		505-1528, 31	
149-2187-03, 14		166-0771, 28		332-1567, 20, 34		509-0008, 10, 35	
149-2206-01, 23, 24		166-0785, 10		332-2073, 34		509-0040, 10, 35	
150-0075, 7		166-0786, 10		332-2572, 10		509-0142, 30, 35	
150-0078, 7		166-0830, 14		332-2904, 15		509-0210, 35	
150-1187, 10		167-0272, 28		332-3143, 34		509-0239, 12, 35	
150-1269, 15		167-1615-01, 28		338-2075, 34		509-0240, 12, 35	
150-1398, 15		167-1615-04, 28		338-2104-01, 34		509-0244, 12, 35	
150-1519, 7		168-0188, 35		338-2454, 34		509-0245, 12, 35	
150-1520, 7		168-0189, 35		338-2454-01, 34		509-0269, 30, 35	
150-2219-01, 17, 19		191-1456, 10		338-2522, 34		509-0289, 6	
150-2265, 10		191-1748, 15		338-2638, 34		509-0338, 12	
150-2332, 17, 19		191-1766, 26, 27		338-3178-01, 34		510-0014, 10	
150-2344-02, 15		191-1808-06, 26		338-3179, 34		510-0015, 7	
150-2345-02, 15		191-1931, 26, 27		338-3226-02, 34		510-0043, 12	
150-2350, 15		191-1947, 27		338-3260, 34		510-0105, 10	
152-0155, 22		191-1949-06, 27		338-3260-01, 34		515-0001, 7, 8	
153-0500, 22		191-1950, 27		338-3286, 34		515-0103, 8	
153-0514, 15, 21, 22		191-1951, 26, 27		338-3533, 34		515-0284, 9	
153-0523, 22		191-1953, 26, 27		357-0030, 34		516-0059, 22	
153-0524, 22		191-1954, 26, 27		403-2860-01, 9		516-0072, 6, 12	
153-0686-02, 21		191-1955, 26, 27		420-0590, 33		516-0130, 10	
154-2495, 17, 19, 35		191-1956, 26, 27		502-0053, 29		516-0141, 6	
154-2542, 35		301-0458, 25		502-1145, 20		516-0230, 6	
154-2746, 31, 32, 35		307-2872, 20		503-0301, 14		517-0048-01, 6	
154-2800, 35		309-0546, 29		503-0446, 20		517-0048-40, 6	